

Change Table Help Guide



**Changing Places
Transforming Lives**

1 Product description:

This changing table is intended for showering and changing children and adults weighing up to 200kg, the table must not be used for any other purpose.

2 Pre use checks:

Check for obstructions or items that may become trapped when the changing table is operated. Check the changing table will raise and lower properly using the handset.

3 Lowering the bed:

To fold down the bed to the usable position, simply hold the bed and lower as indicated by the arrow in Fig 2. To stow bed, lift and fold bed upwards until parallel with cover.

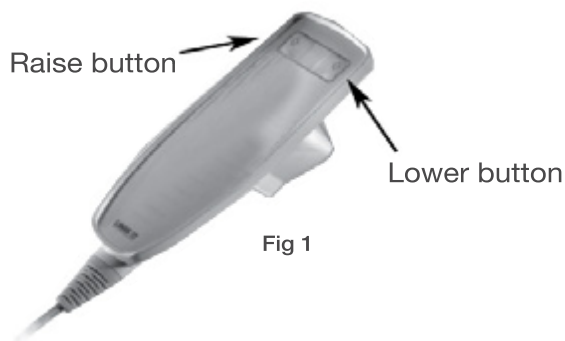


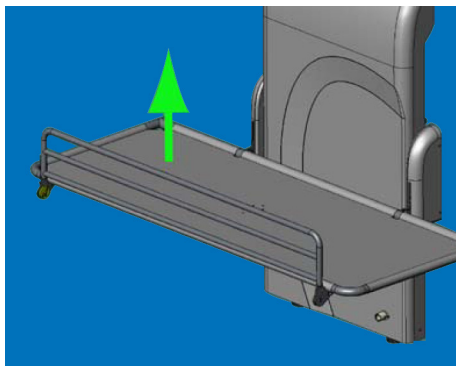
Fig 1



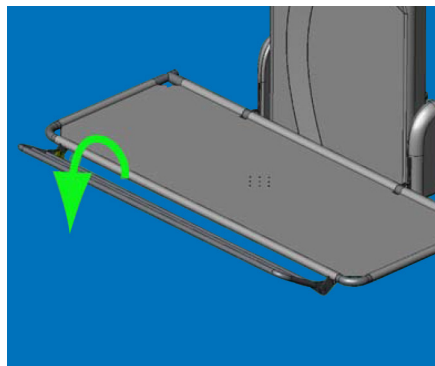
Fig 2

4 Instruction for use:

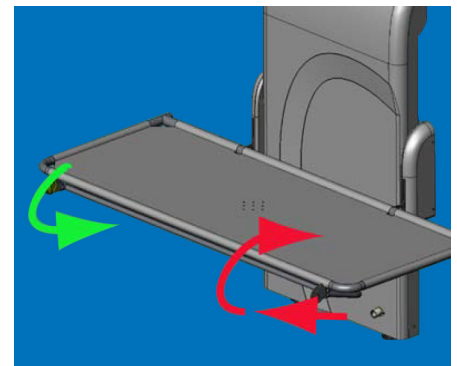
Operation of the change bed is via the two button hand control. Position the bed at a comfortable height. See Fig 1



Operating the guard (where fitted). Folding the guard. Lift the guard upwards.



Then rotate it towards you and then fold under the bed.



It will then lock under the bed. To replace the guard lift it slightly towards you, it will then release, rotate upright and drop into position.

Need assistance? Call CHS Healthcare
1300 789 420
www.chshealthcare.com.au

Proudly supported by  **CHS Healthcare**
We're Here For You