

Stair construction requirements in accordance with AS1428.1 - 2009

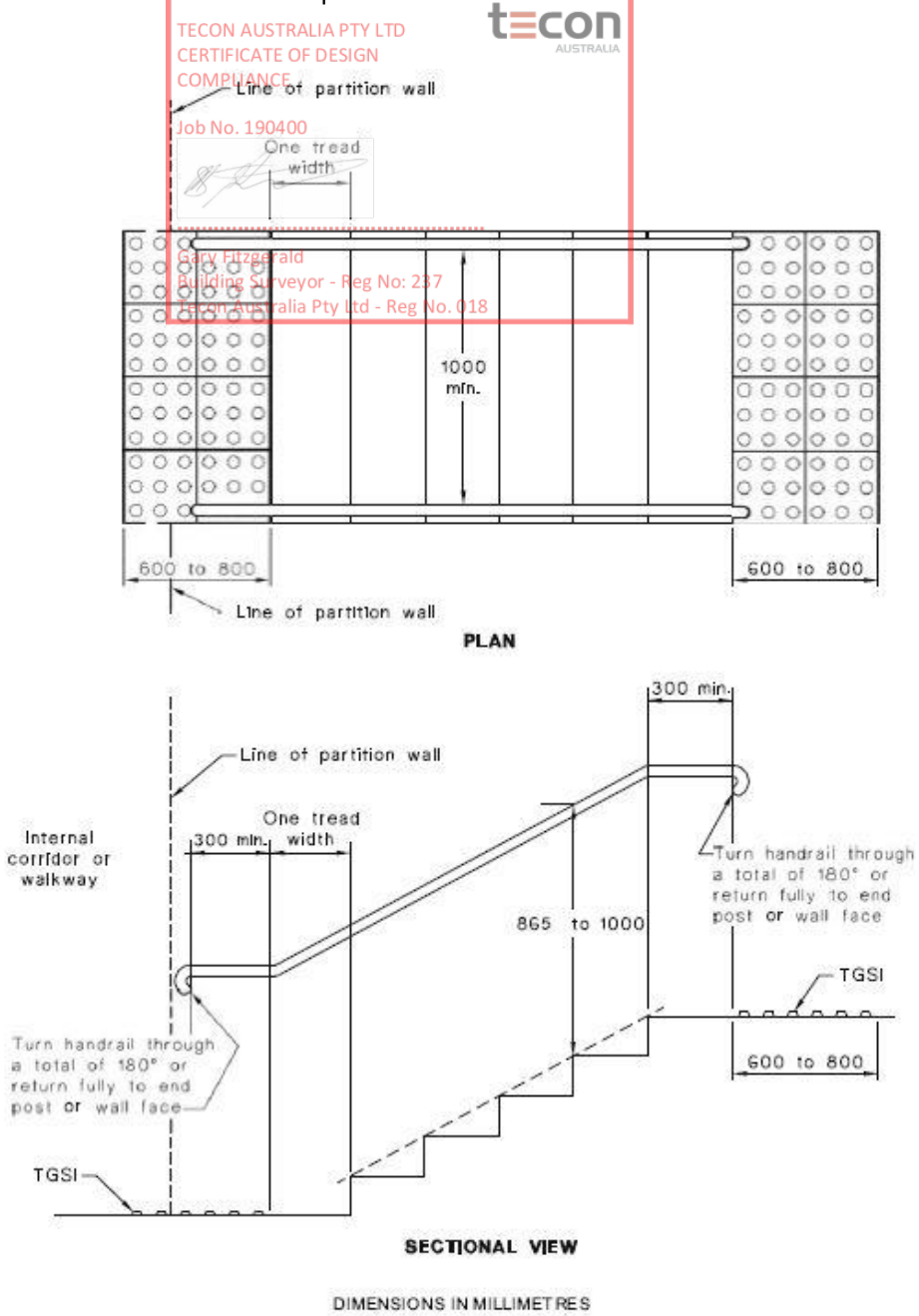


FIGURE 26(B) STAIRWAY LOCATION AND HANDRAIL EXTENSIONS AT END OF STAIRWAY OTHER THAN AT LINE OF BOUNDARY

Stair construction requirements in accordance with AS1428.1 - 2009

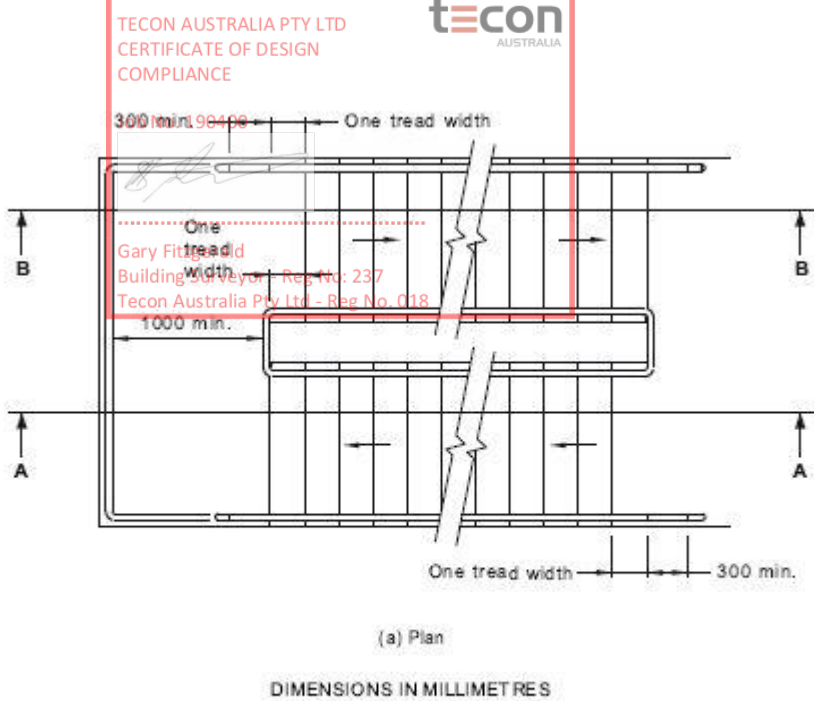


FIGURE 28 (in part) HANDRAILS TO STAIRS WITH INTERMEDIATE LANDINGS

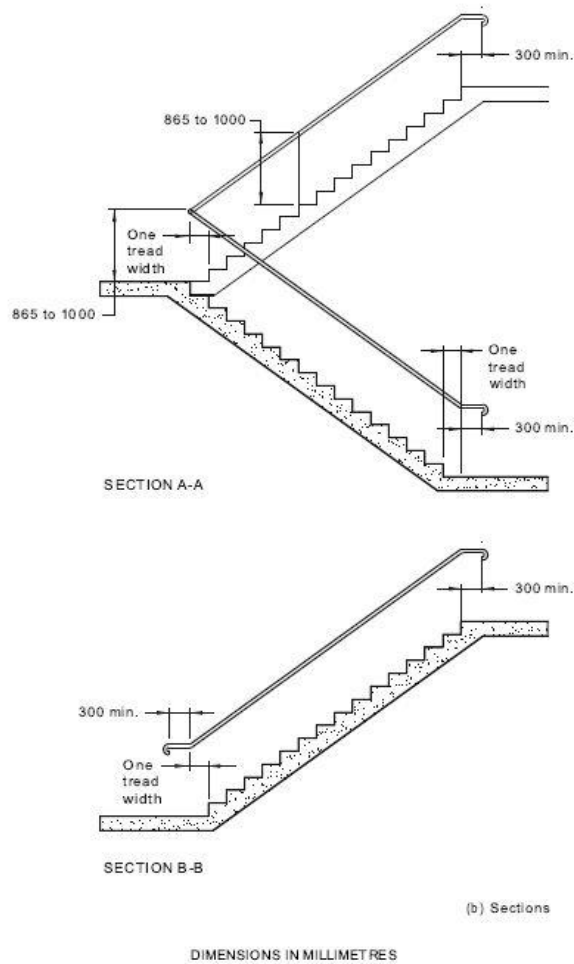
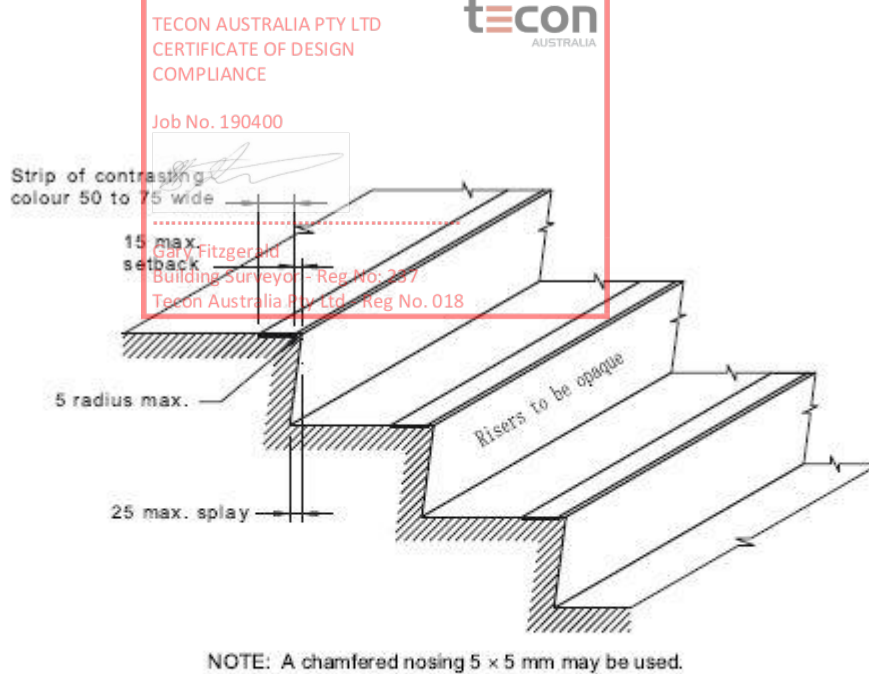


FIGURE 28 (in part) HANDRAILS TO STAIRS WITH INTERMEDIATE LANDINGS

Stair construction requirements in accordance with AS1428.1 - 2009



DIMENSIONS IN MILLIMETRES

FIGURE 27(A) A TYPICAL STAIR NOSING PROFILE WITH NOSING STRIP

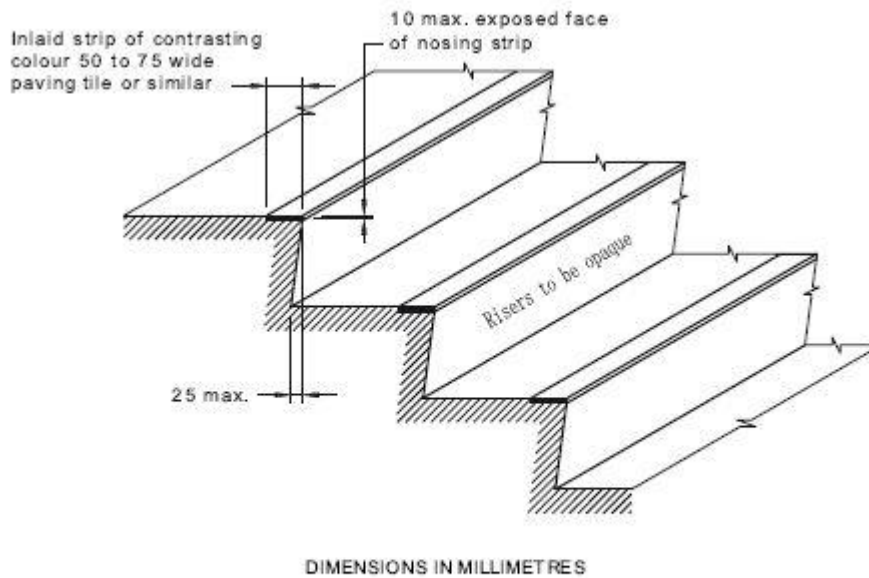


FIGURE 27(B) A TYPICAL STAIR NOSING PROFILE WITH EXPOSED NOSING STRIP